

	Item	Value	Remark
Input	Nominal voltage	100–277V	
	Nominal frequency	50–60Hz	
	AC voltage range	90–305V	
	DC voltage range (start)	NA	
	DC voltage range (operation)	NA	
	Nominal current	190mA / 90mA	Full load @100/230VAC
	Total Harmonic Distortion (THD)	< 15%	Full load @100/230VAC
	Power factor	0.75C-0.96	Full load @230VAC
	Displacement factor	0.75C-0.96	Full load @230VAC
	Efficiency	85% (Typ.)	Full load @230VAC
	No-load power	NA	
	Stand-by power	NA	
	Protection class	NA	
	Inrush current	6A / 25us	Full load @230VAC
Earth leakage current	NA		
Output	Nominal voltage range	18-30Vdc	
	Maximum voltage	37Vdc	
	Nominal current range	500mA	
	Current accuracy	± 5%	Full load @ 100/230Vac
	Typical output LF current ripple	± 5%	Low Frequency< 120Hz Full load @230VAC
	Starting time	< 0.5 S	Full load @230VAC
		< 0.75 S	Full load @120VAC
	Nominal power range		
	LSC20W500LLRP UNI	9.0-15W	
	Maximum power	15.4W	
Environment	Ambient temperature range t_a	-20°C - +50°C	
	Maximum case temperature t_c	85°C	
	Max. case temp. in fault condition	110°C	When operating under fault conditions, the temperature of the enclosure at any location should not exceed 110 °C

	Item	Value	Remark
Environment	Storage temperature range	-40°C - 85°C	
	Relative humidity	10% - 95%	
	Surge transient protection	1 kV	L/N
	Environmental rating	Indoor	
	IP rating	IP20	
	Mains switching cycles	> 100,000	
	Expected lifetime		
	LSC20W500LLRP UNI		
	Full load	> 50,000 h, tc 85 °C @ ta 50 °C	0.2 % / 1,000 h failure rate
Output load ≤ 10.5W	> 50,000 h, tc 85 °C @ ta 60 °C	0.2 % / 1,000 h failure rate	

Packing	Gross weight/box	12 kg	
	Net weight/box	10.8 kg	
	Pcs/box	108 PCS	
	Dimension/box	490(L)*270(W)*225(H)mm	

Protections

Short- & open circuit proof, Auto. Overload protection

Conformity & Standards

Safety standard:	EN 61347-1, EN 61347-2-13, EN 62493
Performance:	EN 62384
SAA standard:	AS/NZS 61347.1, AS/NZS IEC 61347.2.13
EMC standard:	EN 55015, EN 61000-3-2, EN 61000-3-3, EN 61547

Cable information

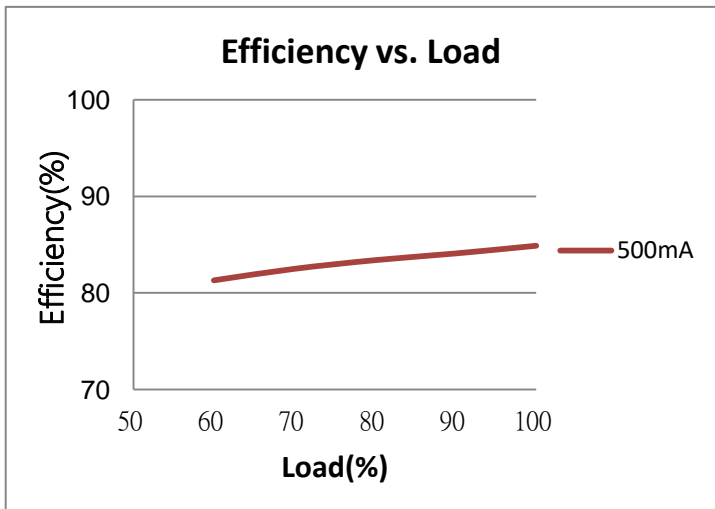
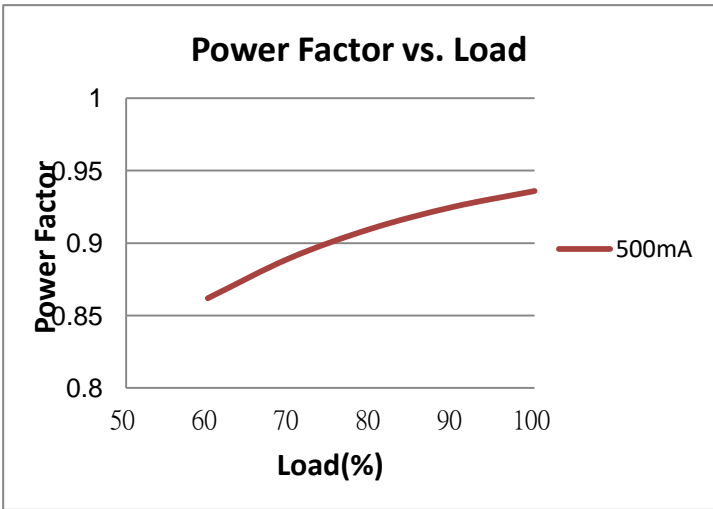
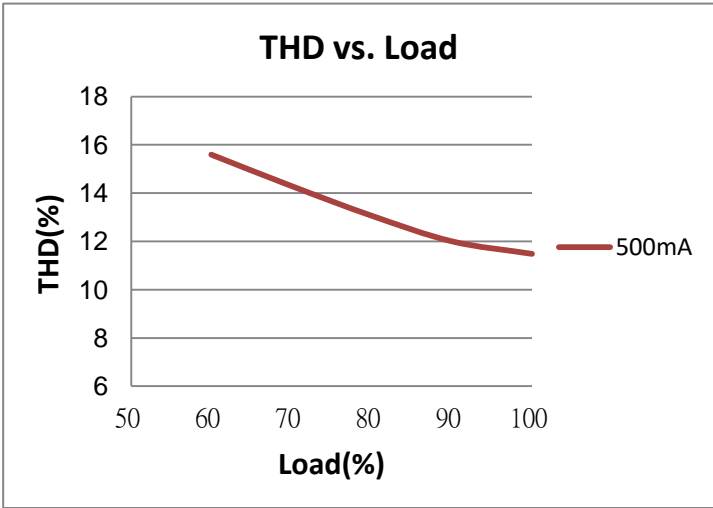
PRI Connection	L	N
Color	Brown	Blue
Wire type	7022	7022
Wire diameter	AWG18	AWG18
Wire length	130mm	130mm
Stripping	6mm	6mm
tolerance	±5mm	±5mm

Sec Connection	+	-
Color	Red	Black
Wire type	1332	1332
Wire diameter	AWG22	AWG22
Wire length	130mm	130mm
Strip length	6mm	6mm
tolerance	±5mm	±5mm

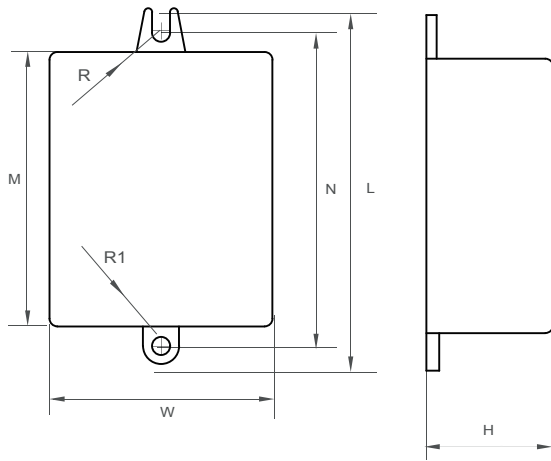
* If not mentioned, all the test conditions are based on full load at 100/230VAC input (for 100-277 VAC input).

Subject to change without notice, HEP guarantees all products perform functionally well

Electrical Values



Physical Parameter



L : 69.3 mm W: 43.5 mm R1: Φ 3.5 mm
M : 53.5 mm H : 24.6 mm
N : 61 mm R : 1.75 mm

Tolerance : $\geq \pm 1$ mm

Housing Material : Polycarbonate / Full Potting

Wiring Diagram

